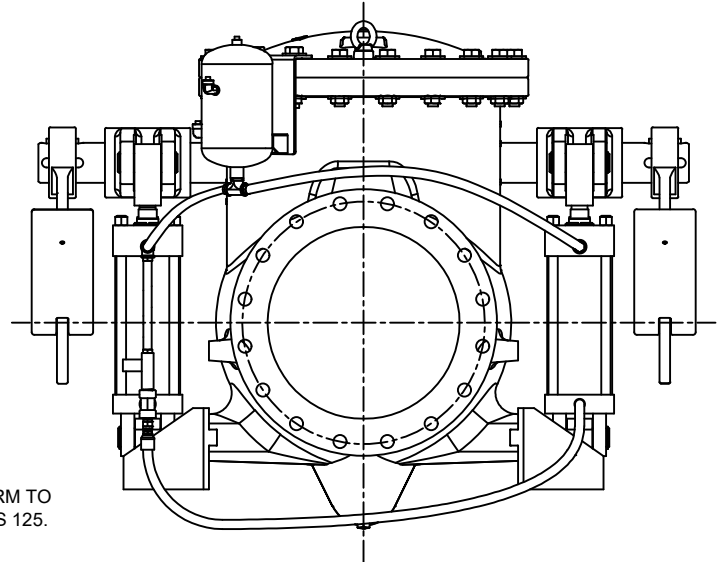
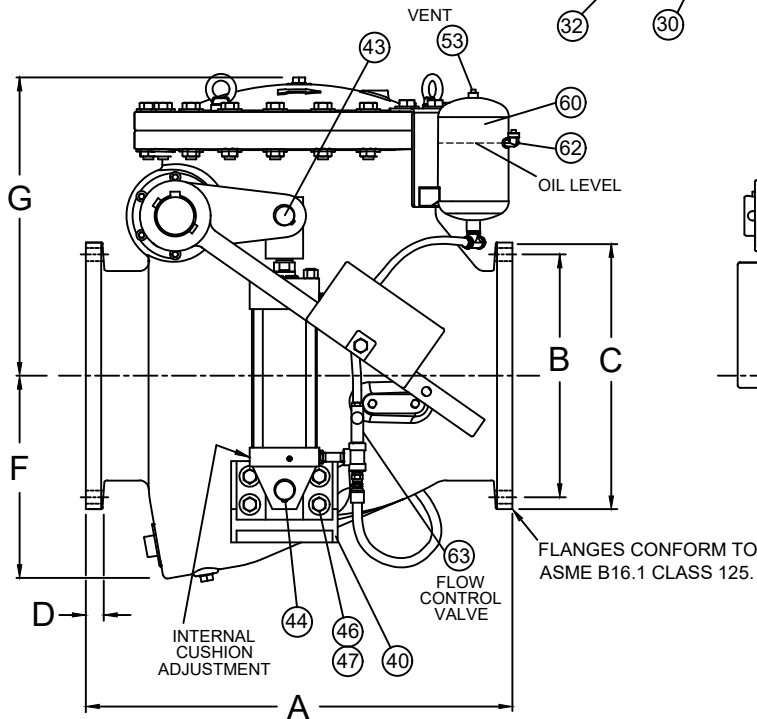
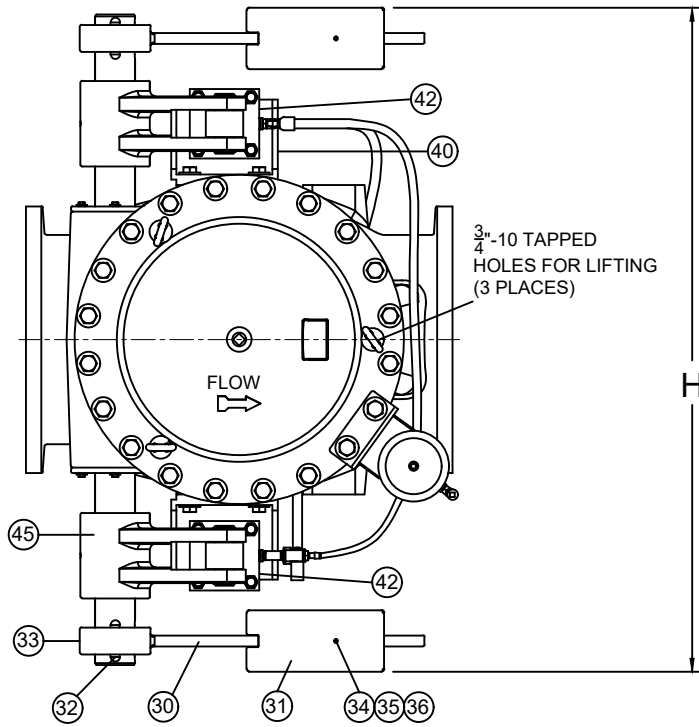


**2-STAGE OIL CUSHION PRINCIPLE OF OPERATION**

During closure, the oil cylinder controls the speed of closure in two stages:

1. As the check valve closes, oil from the bottom port of the cylinder is controlled by the Flow Control Valve (63), typically 2 to 5 seconds.
2. During the last 10% of travel, the closure is controlled using the internal cushion adjustment, typically 1 to 3 seconds.

COLD WORKING PRESSURE  
150 PSI  
HYDRO TEST PRESSURE  
300 PSI



SEE DRAWING VM-7920S2-M FOR STANDARD MATERIALS OF CONSTRUCTION

DIMENSIONS, INCHES							
VALVE SIZE	A	B	C	D	F	G	H
8	19.50	11.75	13.50	0.88	11.25	15.50	36.00
10	24.50	14.25	16.00	1.18	14.5	21.3	44.5
12	27.50	17.00	19.00	1.25	14.56	20.16	44.00
14	31.00	18.75	21.00	1.38	17.00	21.00	53.13
16	36.00	21.25	23.50	1.43	18.50	26.50	57.50
18	40.00	22.75	25.00	1.56	19.00	28.00	62.25

Revised 6-1-21 (Rev 6)

8" - 18" SWING CHECK VALVE WITH SIDE MOUNTED 2-STAGE OIL CUSHION

DATE 3-28-13



VALVE AND MANUFACTURING CORP.

DRWG. NO.  
VMC-7918S2